



Dana Spicer® Drive Axles

Roadranger®

Illustrated Parts List

Dana Spicer® Drive Axles

AXIP0240

July 2011

DSP40(P), DSP41(P), DDP40(P), DDP41(P),
RSP40, RSP41, RDP40, RDP41,
P20060, P22060 Models

SPICER®
DRIVETRAIN COMPONENTS



Table of Contents

General Information	2	Carrier Mounting Flange Design Change	23
How To Use Illustrated Parts List.....	2	Axle Housing Fasteners	24
Model Identification	3	Casting & Service Parts Cross-Reference Listing	25
Single Reduction - Forward Axles -		Axle Shafts & Axle Shaft Hardware Parts	26
After June 2008	6	Gear & Pinion Kits.....	28
Pinion Bearing Spacers.....	11	Service Carriers - Single Reduction.....	30
Single Reduction - Forward Axles -		DSP40(P), DSP41(P), DDP40(P), DDP41(P)	30
Before June 2008.....	12	RSP40, RSP41, P20060S/D, P22060S/D.....	31
Wheel Differential Lock Assembly	17	Yokes & Flanges	32
Rear Axle Parts Explode	18	Oil Seal Installation Tools	34
Output Shaft & Axle Housing Parts Explode	21	Service Kit Reference Listing	34

General Information

General Information

How To Use Illustrated Parts List

Ordering Parts

- This parts book is organized in sections according to parts servicing requirements. Use the Contents or page headings and colored tabs to find information.
- Use this book to order parts for your Dana® Spicer® Axle.
- For convenience, part numbers have been included for all pieces of the carrier assembly. Some of these parts, such as the carrier and caps, are serviced only in kits or assemblies. Part numbers are for your reference only. Those parts not serviced separately are identified with NSS.

Kits and Assemblies

- Kits and Assemblies contain groups of individual or assembled parts developed for optimal replacement or repair of a service problem.
- Kits and Assemblies are shown with applicable parts groupings in the parts listing.
- See the Appendix for detailed information concerning kits applicable to this model.

Abbreviations

- ABS - Antilock Brake System
- AR - As Required - Parts that vary in quantity with each axle.
Example: shims
- Assy - Assembly
- Brg - Bearing
- Diff - Differential
- Hsg - Housing
- Inv - Involute
- N/A - Not Applicable
- NSS - Not Serviced Separately - Items which can only be purchased in sets, kit form or service assemblies. Example: brake shoes.

- RH/LH - Right Hand/Left Hand - Determined as viewed from behind the vehicle looking forward.
- RTV - Gasket Compound - Formed-in-place gasket sealer. It is recommended for use on all surfaces requiring a gasket.
- Str - Straight

Illustrations

- Illustrations show parts in assembly groups.
- Item numbers on illustrations correspond with parts listings on pages that accompany the drawings.
- Notes are included on illustrations where needed.

Parts Listings

- Parts listings are defined by parts groupings and are broken down by service assemblies.
- Parts Listings identify a part for servicing with the following categories:
 - Item - corresponds with numbers on illustrations for part identification
 - Part Name - specifies part name or description
 - Quantity (Qty) - quantity required for assembly
 - Current Part - service part numbers are broken down by model, type or other applicable information
 - Notes - define unique characteristics or replacement notes
 - Kits / Assy's Where Used - indicates Kits or Assemblies that contain a particular part
- *Other pertinent information is listed in tables or parts listings as required.*

Effectively using a Parts Listing - Example

Follow the example below to locate and order exactly what is required for servicing.

Match to item on illustration	Use to identify Part Number	Order this quantity for servicing	Order part number by model indicated		Indicates information important to ordering or use
Item	Description	Qty	DSP40(P)	DDP40(P)	Notes
7	Brg Cup - Plain Half	1	129566•	15092•	
8	Brg Cone - Plain Half	1	129565•	128604•	

Summary of Kits and Assemblies

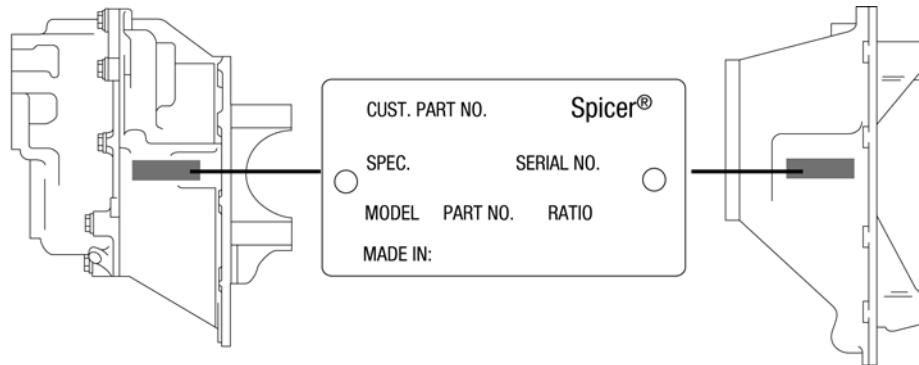
Oil Seal & Shim Kit	216224	216224	Includes 49-54 & 127592
Basic Overhaul Kit	510393	510393	Contents Identified with *

Model Identification

Locating Model Designation Information

- Axle Model Identification, Part Number and Serial Number are located on a tag at the axle centerline. This information will help to locate information in this book and to identify the correct parts for servicing.

Drive Axles



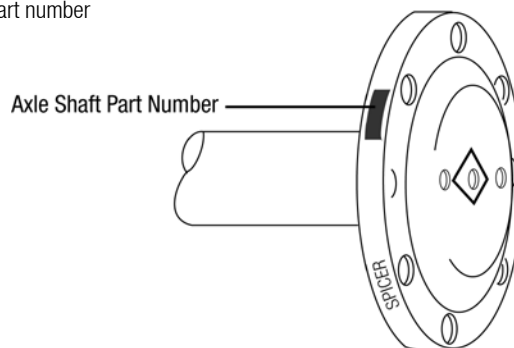
- Model Number, Part Number and Serial Number are located on the data plate on the axle centerline

Drive Axle Assembly Tag

1. Country or origin
2. Axle model identification
3. Specification number assigned to the axle built by Spicer®. Identifies all component parts of the axle including special OEM requirements such as yokes or flanges
4. OEM part number assigned to the axle build
5. Carrier assembly serial number assigned by the manufacturing plant
6. Axle gear ratio
7. Carrier assembly production or service part number

NOTE: When inquiring about specific information on your axle, write down all of the above information from your tag and call your local OEM dealer or your Roadranger representative.

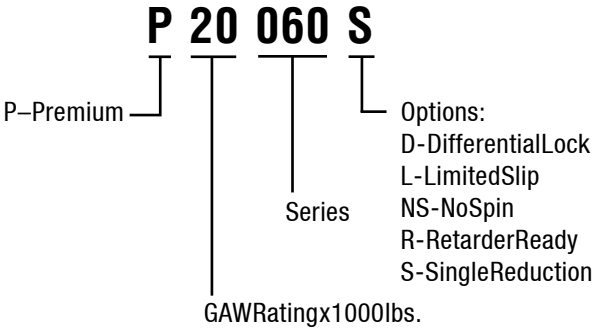
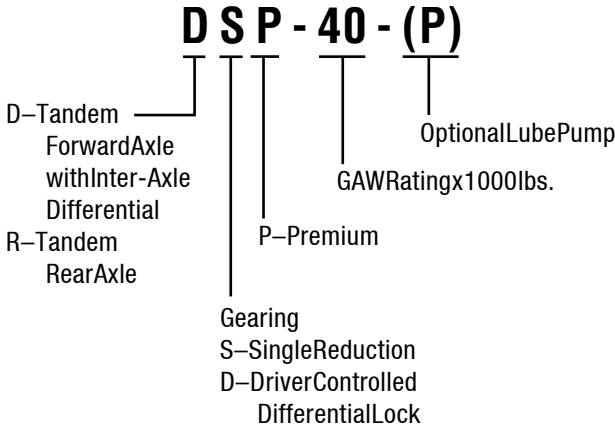
- The axles illustrated in this book are specified with a variety of different axle shafts, according to OEM specifications. When ordering replacement axle shafts, note the part number stamped into the flange.



Model Identification

Using Model Designation to Identify Axle Components

- The Axle Model Identification number contains information that is important to understand when purchasing service parts or new components. The Model Identification number provides important vehicle, capacity and application information and model features. Use this guideline to understand your Axle Model Identification. If you need assistance, contact your Roadranger representative.



Models

Models

The following models are included in this publication:

Single Reduction Models

Single Axle*	Axle Capacity	Gear Size
P20060	20,000 Lbs	15.40"/15.70" Hypoid Gear, Nom.
P22060	22,000 Lbs	15.40"/15.70" Hypoid Gear, Nom.

*carrier options include S=Single Speed, D=Differential Lock, R=Parking Brake Ready

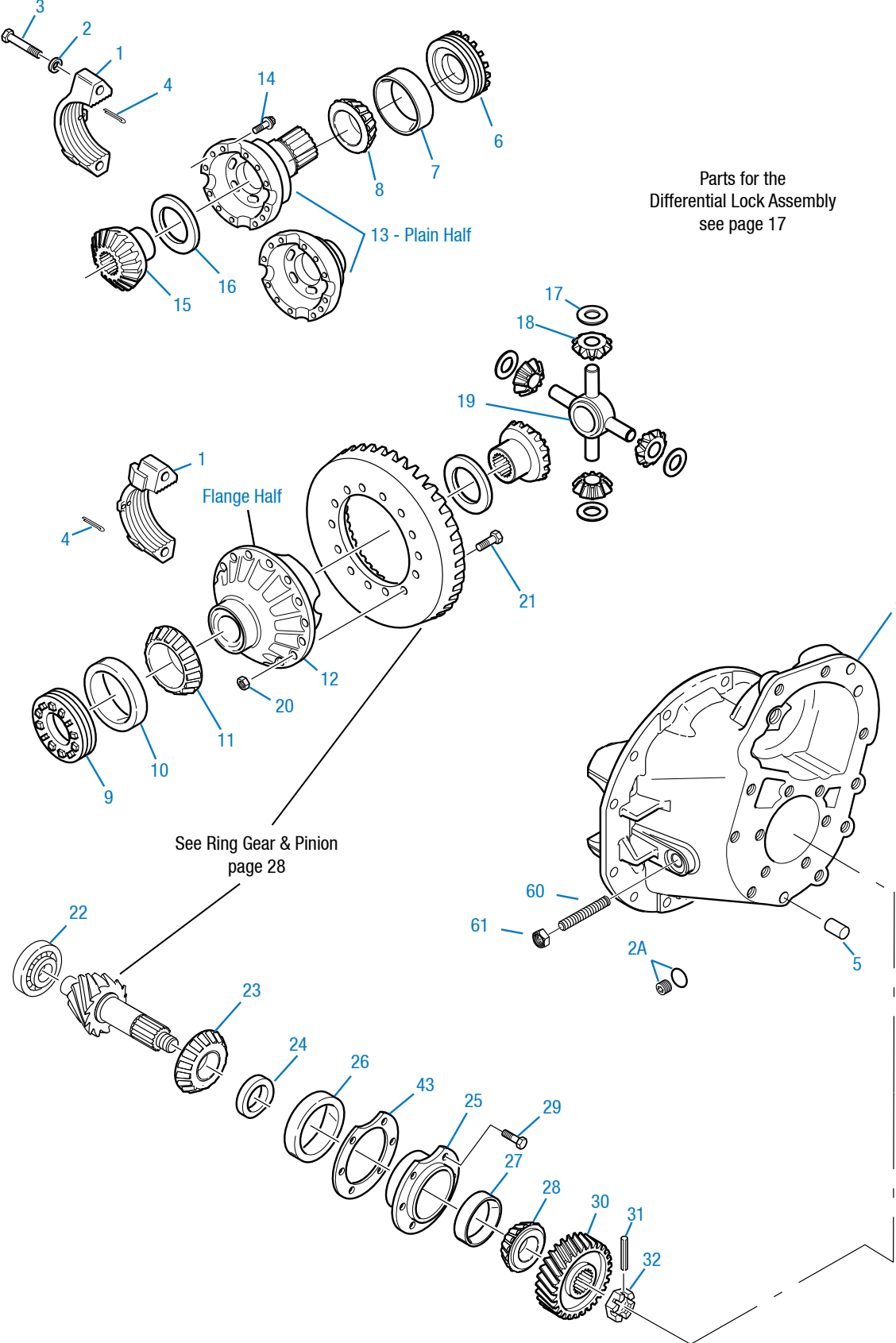
Forward Axle	Rear Axle	Axle Capacity	Gear Size
DSP40(P)	RSP40	40,000 Lbs	15.40"/15.70" Hypoid Gear, Nom.
DSP41(P)	RSP41	40,000 Lbs	15.40"/15.70" Hypoid Gear, Nom.

Single Reduction Models with Wheel Differential Lock

Forward Axle	Rear Axle	Axle Capacity	Gear Size
DDP40(P)	RDP40	40,000 Lbs	15.40"/15.70" Hypoid Gear, Nom.
DDP41(P)	RDP41	40,000 Lbs	15.40"/15.70" Hypoid Gear, Nom.

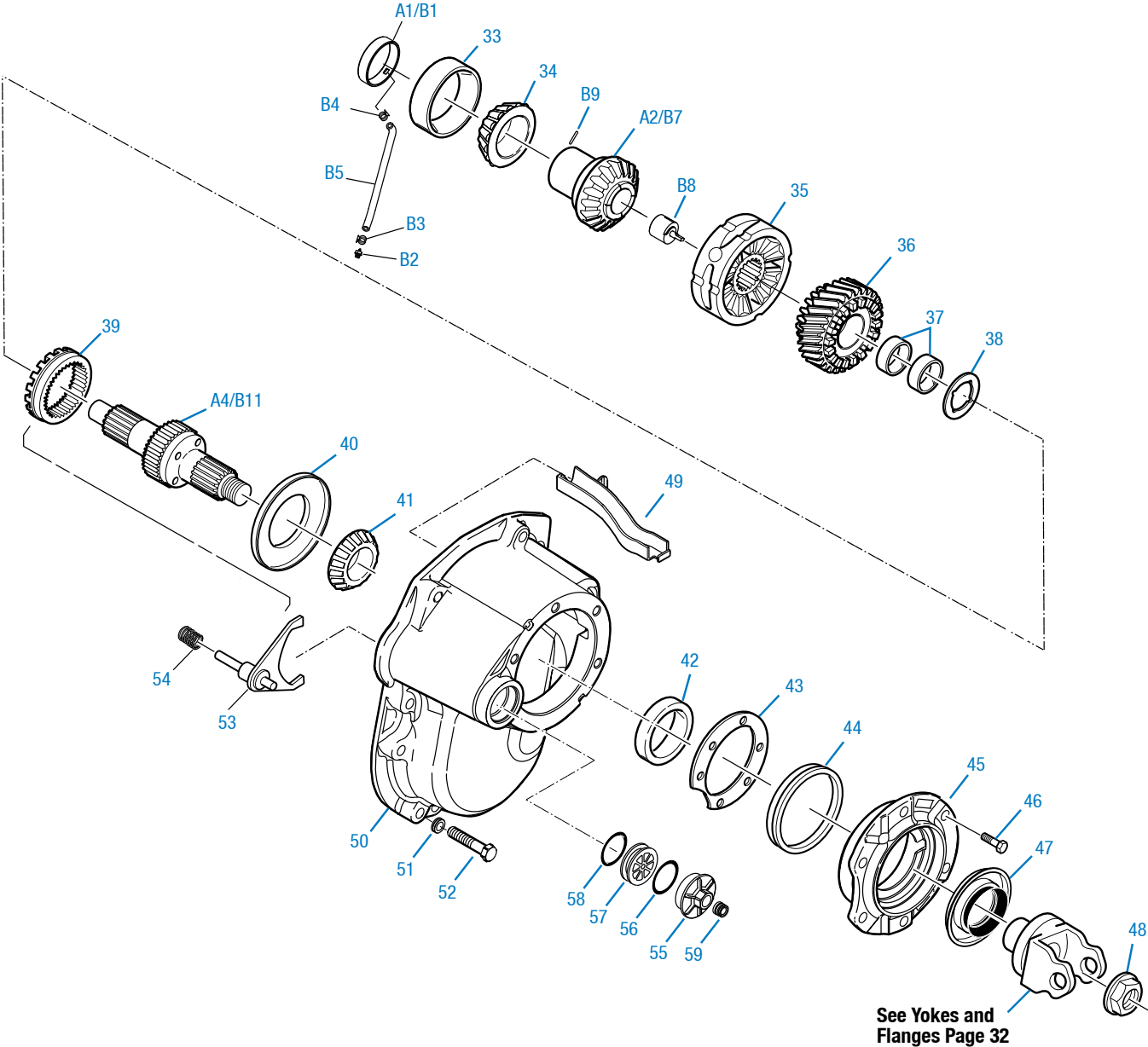
Single Reduction-Forward Axles After June 2008

Single Reduction-Forward Axles - After June 2008



Single Reduction-Forward Axles After June 2008

Single Reduction-Forward Axles - After June 2008



Single Reduction-Forward Axles After June 2008

Item	Description	Qty	DSP40(P) DSP41(P)	DDP40(P) DDP41(P)	Notes
BASIC OVERHAUL KIT			504030	504031	Contents Identified with •
1	Forward Carrier/Cap Sub-Assy				Includes items 1-3 and #33 brg cup
	Standard Mdls 132038-NSS	1	132466	---	
	Diff-Lock Mdls 132043-NSS	1	---	132467	
2	Flat Washer	4	210288	210288	
2A	Plug, O-Ring	1	131809	131809	O-ring not sold seperately
3	Capscrew	4	210095	210095	
4	Cotter Pin	2	090873	090873	
5	Dowel Pin	2	007641	007641	
6	Diff Brg Adjuster - Plain Half	1	129130	128616	
7	Brg Cup - Plain Half	1	129566•	15092•	
8	Brg Cone - Plain Half	1	129565•	128604•	
9	Diff Brg Adjuster - Flange Half	1	129128	129128	
10	Brg Cup - Flange Half	1	129564•	129564•	
11	Brg Cone - Flange Half	1	129563•	129563•	
WHEEL DIFF CASE KITS					Includes items 12-14
12	Diff Case-RH (Flg Half)				
	133737 note-12	1	508653	508724	Ratios 2.64 to 3.25
	133738 note-12		508654	508725	Ratios 3.36 to 3.90
	133739 note-12		508655	508726	Ratios 4.11 to 4.88
	133740 note-12		508656	508727	Ratios 5.29 to 7.17
13	Diff Case-LH (Plain Half)-standard	1	132437	---	See note-12 below
	Diff Case-LH (Plain Half)-diff lock	1	---	128607	See note-12 below
14	Capscrew	12	127465	127465	
WHEEL DIFF SIDE GEAR KIT			510397	510397	Includes items 15-19
WHEEL DIFF KIT w/o SIDE GEARS			510396	510396	Includes items 16-19
15	Side Gear - 41 Inv Spline	2	127368	127368	
16	Side Gear Thrust Washer	2	127386•	127386•	
17	Side Pinion Thrust Washer	4	129305•	129305•	
18	Side Pinion	4	133784	133784	
19	Diff Spider	1	129599	129599	
RING GEAR NUT & BOLT KIT			1	508652	508652
20	Nut - Ring Gear	16	126216	126216	Includes items 20-21
21	Bolt - Ring Gear	16	129686	129686	
22	Pinion Pilot Brg	1	127484•	127484•	
23	Pinion Brg Cone - Inner	1	129560•	129560•	

NSS - Not Sold Separately

NOTE 12: All diff case halves are now available separately. Design enhancements in the diff cases were released in 2007, refer to bulletin ABIB-0704.

Single Reduction-Forward Axles After June 2008

Item	Description	Qty	DSP40(P) DSP41(P)	DDP40(P) DDP41(P)	Notes
24	PINION BRG SPACER (SVC KIT)	AR	504043	504043	Individual Pinion Bearing Spacers Listed on pg 11
25	Pinion Brg Cage & Cup Assy	1	129767	129767	Cage#127488C Includes item 25-27
26	Pinion Brg Cup - Inner	1	129561•	129561•	
27	Pinion Brg Cup - Outer	1	012495•	012495•	
28	Pinion Brg Cone - Outer	1	127535•	127535•	
29	Capscrew	6	210115	210115	
30	Pinion Helical Gear	1	127523	127523	
31	Roll Pin	1	118807	118807	
32	Slotted Pinion Nut	1	126182	126182	M42-1.5 (55mm socket)
A	Manifold Parts Kit - Non Pump	1	513880	513880	NON PUMP - Includes 132435
A1	Seal Manifold Assy - Non Pump #132435-NSS	1	—	—	NON PUMP - Must order kit
A2	Output Side Gear - Non Pump	1	132443	132443	NON PUMP
A3	Input Shaft Kit - Non Pump	1	504026	504026	NON PUMP - Includes 132447,128049,132439
A4	Input Shaft-Non Pump #132447-NSS	1	—	—	NON PUMP - Must order kit
B	Manifold Parts Kit - Pump Model	1	504029	504029	PUMP MODELS - Includes 133964,134010, 129338,134011,131366
B1	Seal Manifold Assy Pump #131366-NSS	1	—	—	PUMP MODELS - Must order kit
B2	Filter Screen Assy	1	133964	133964	PUMP MODELS
B3	Collar Lock	1	134010	134010	PUMP MODELS
B4	Clamp	1	129338	129338	PUMP MODELS
B5	Lube Hose	1	134011	134011	PUMP MODELS
B6	Lube Pump Kit	1	504028	504028	PUMP MODELS - Includes 132060, 131541, 132061, 131368
B7	Output Side Gear - Pump Model #132061-NSS	1	504028	504028	PUMP MODELS
B8	Lube Pump #131368-NSS	1	504028	504028	PUMP MODELS
B9	Pump Locking Pin	1	131541	131541	PUMP MODELS
B10	Input Shaft Kit - Pump Model	1	504027	504027	PUMP MODELS - Includes 132446, 128049, 132439
B11	Input Shaft-Pump Model #132446-NSS	1	—	—	PUMP MODELS - Must order kit
33	Bearing Race	1	110811•	110811•	
34	Bearing Cone	1	132060•	132060•	
35	Inter-Axle Diff Assy	1	134192	134192	134192 replaces 128634, 129771
36	Helical Side Gear & Bushing Assy Gear Stamp#130906-NSS	1	130907	130907	(Includes item 37)
37	Bushing - Helical Gear	2	129371	129371	
38	Thrust Washer - Helical Gear	1	132439•	132439•	
39	Lockout Sliding Clutch	1	127510	127510	

Single Reduction-Forward Axles After June 2008

Item	Description	Qty	DSP40(P) DSP41(P)	DDP40(P) DDP41(P)	Notes
40	Oil Retainer	1	128700	128700	
41	Input Shaft Bearing Cone	1	129558•	129558•	
42	Bearing Cup	1	1008912•	1008912•	can use 129559
For PDU Cover & Lockout Details See page 20					
OIL SEAL & SHIM KIT		1	216224	216224	Includes shims & oil seals 127591/127592
PINION CAGE SHIM KIT		1	504032	504032	Includes 5 each of the shims listed below
43	Shim.003"	AR	127595•	127595•	
	Shim.005"		127596•	127596•	
	Shim.010"		127597•	127597•	
	Shim.020"		127598•	127598•	
	Shim.030"		127599•	127599•	
44	Oil Seal-V-Ring	1	128703•	128703•	
45	Input Brg Cover Assy	1	129575	129575	Cast#129574C, Includes item 42
46	Bearing Cover Cap Screw	6	210115	210115	
47	Oil Seal	1	127591•	127591•	
48	Locknut	1	128049	128049	In 510593 Kit, M42-1.5 (55mm socket)
49	Lube Trough	1	129577	129577	
50	Power Divider Cover	1	130823	130823	11 hole design
51	Washer - Capscrew	11	128415	128415	
52	Capscrew Long	11	210091	210091	
SHIFT FORK & COMPRESSION SPRING KIT		1	510870	510870	Includes Items 53 & 54
53	Shift Fork Assy - NSS	1	129856	129856	Order kit 510870
54	Compression Spring	1	129859	129859	
55	Piston Cover Assy	1	129573	129573	Includes Cover #129578 and item 56
56	O-Ring	1	129579	129579	
57	Piston	1	129580	129580	
58	O-Ring	1	210180	210180	
59	Shipping Plug	1	599792	599792	
60	Thrust Screw	1	126193	126193	
61	Jam Nut	1	210184	210184	
62	RTV - Sealant	1	107276S•	107276S•	Not Illustrated

NSS - Not Sold Separately

Summary of Kits and Assemblies

Air L/O Kit - Complete	510052	Includes: 53-59
Repair Kit	510053	Includes: 55-58
Shift Fork & Compression Spring Kit	510870	Includes: 53-54

Pinion Bearing Spacers

Pinion Bearing Spacers

The pinion bearing spacers shown below come in a variety of different thickness's for use in re-assembly. All are available individually or customers can order the PINION BRG SPACER SERVICE KIT, which has a selected range of popular bearing spacers.

DSP40(P), DSP41(P), DDP40(P), DDP41(P)

PINION BRG SPACER KIT: 504043 (includes items w/*)

New Spacers	Spacer Thickness
129079	0.797
129080	0.798
129081	0.800
129082	0.801
129083	0.802
129084	0.803
129085	0.804
129086*	0.806
129087	0.807
129088	0.808
129089	0.809
129090*	0.810
129091	0.811
129093	0.812
129097	0.814
129099*	0.815
129101	0.816
129103*	0.817
129105	0.818
129107	0.819
129109*	0.820
129111	0.821
129113	0.822
129115	0.823
129117*	0.824
129119	0.825
129120*	0.826
129121	0.828
129122	0.829
129123	0.830
129124*	0.831
129125	0.832
129126	0.833

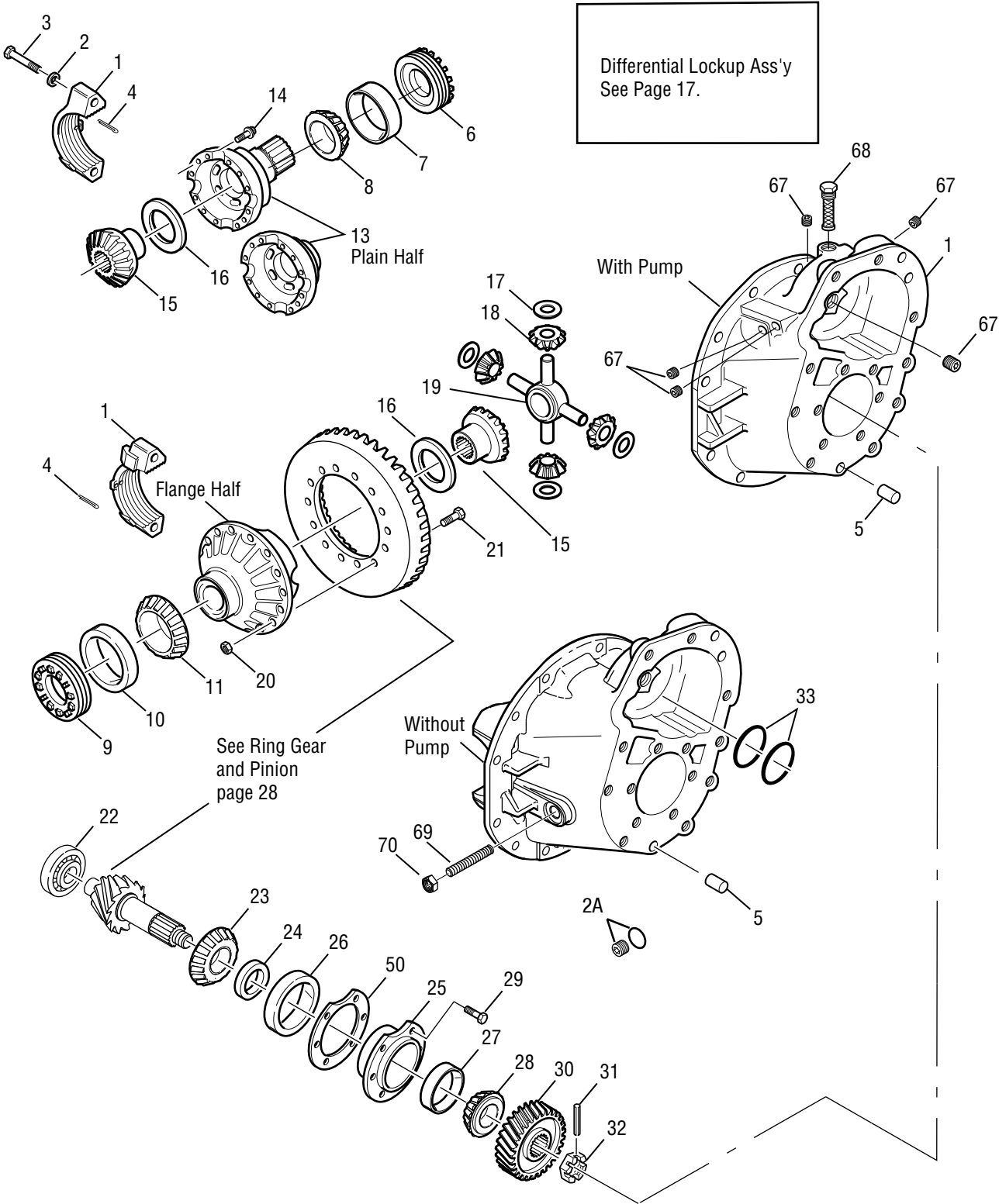
RSP40, RSP41, RDP40, RDP41, P20060, P22060S/D

PINION BRG SPACER KIT: 504016 (includes items w/*)

Bearing Spacers Part Number	Spacer Thickness
91552*	0.623
91553	0.624
91554	0.625
91555	0.626
91556*	0.627
91557	0.628
91558	0.629
91559*	0.630
91560	0.631
91561	0.632
91562	0.633
91564	0.634
91566	0.635
91568	0.636
91572*	0.637
91576	0.638
91580*	0.639
91584	0.640
91588	0.641
91592	0.642
91596*	0.643
91600	0.644
91602*	0.645
91604	0.646
91606	0.647
91608	0.648
91610	0.649
91611	0.650
91612	0.651
91613	0.652
91614*	0.653
91615	0.654

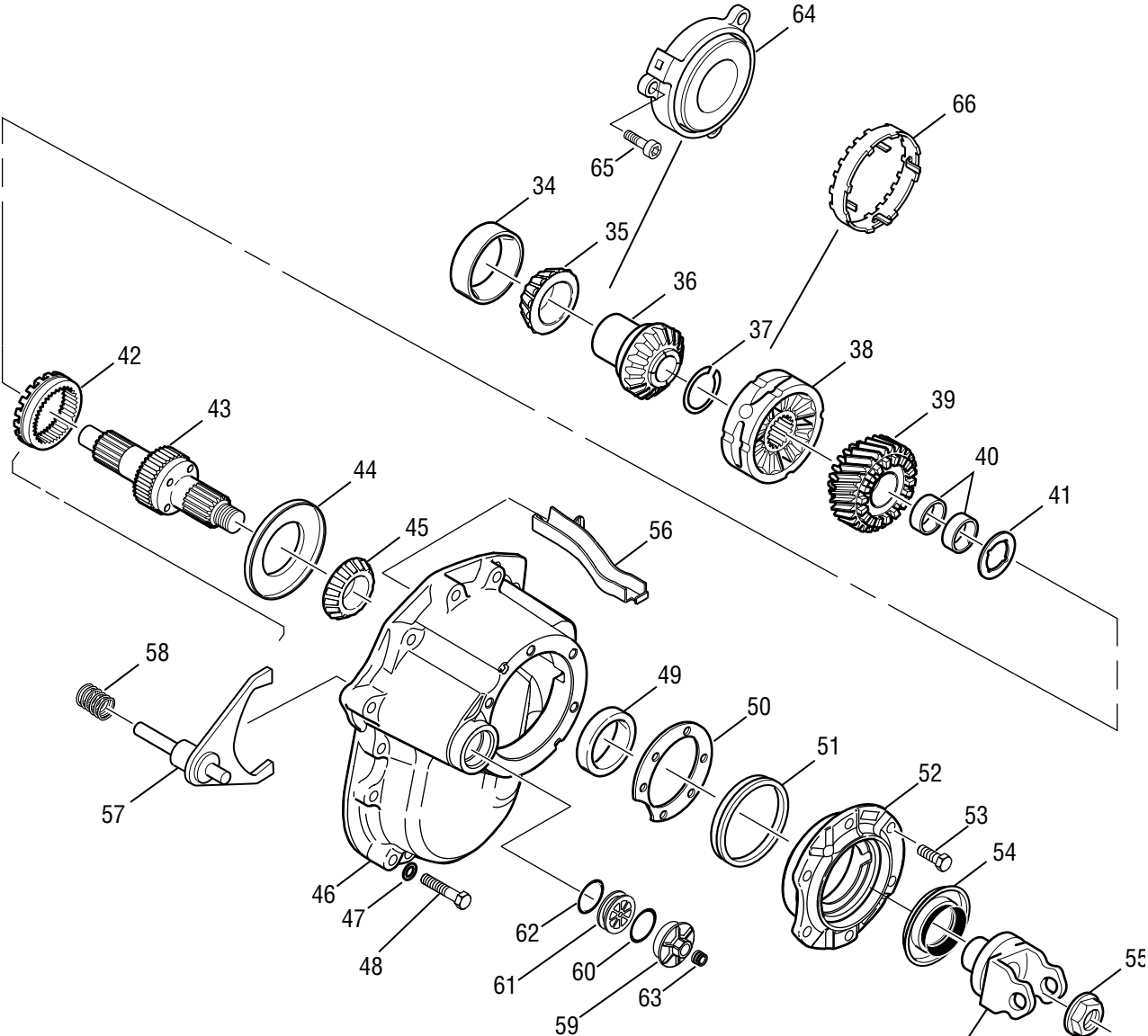
Single Reduction-Forward Axles Before June 2008

Single Reduction-Forward Axles - Before June 2008



Single Reduction-Forward Axles Before June 2008

Single Reduction-Forward Axles - Before June 2008



See Yokes
and Flanges
Page 32

Single Reduction-Forward Axles Before June 2008

Item	Description	Qty	DSP40(P) DSP41(P)	DDP40(P) DDP41(P)	Notes
BASIC OVERHAUL KIT			510393	510399	Contents Identified with •
BEARING KIT			512812	512800	Contents Identified with *
1	Diff Carr & Brg Caps Kits-NLA Included: 1-3, 5, 67, 69-71 and fasteners from 512087 pg 24 note 1 NOTE: All Original Carr/Caps are NLA, Must Purchase Complete Carrier. Refer to bulletin abib-0805	Kits NLA - See Chart and Notes Below			
			Model Type	Part No.	Notes
			DSP40, DSP41	510023-NLA	Casting #130809
			DSP40P, DSP41P	510024-NLA	Casting #130819
			DDP40, DDP41	510027-NLA	Casting #130814
			DDP40P, DDP41P	510028-NLA	Casting #130814
2	Flat Washer	4	210288	210288	
2A	Plug & O-ring Assembly	1	131809	131809	O-ring not sold seperately
3	Capscrew	4	210095	210095	
4	Cotter Pin	2	090873	090873	Replaces 126156
5	Dowel Pin	2	007641	007641	
6	Diff Brg Adjuster - Plain Half	1	129130	128616	
7	Brg Cup - Plain Half	1	129566•*	015092•*	
8	Brg Cone - Plain Half	1	129565•*	128604•*	
9	Diff Brg Adjuster - Flange Half	1	129128	129128	
10	Brg Cup - Flange Half	1	129564•*	129564•*	Replaces 90943
11	Brg Cone - Flange Half	1	129563•*	129563•*	Replaces 6082
WHEEL DIFF. CASE KITS					Includes items 12-14
12	Diff Case-RH (Flg Half)	1			
	133737 (was 129464)note-12		508653	508724	Ratios 2.64 to 3.25
	133738 (was 129465)note-12		508654	508725	Ratios 3.36 to 3.90
	133739 (was 129466)note-12		508655	508726	Ratios 4.11 to 4.88
	133740 (was 129467)note-12		508656	508727	Ratios 5.29 to 7.17
13	Diff Case-LH (Plain Half)-Standard Mdl	1	132437	---	Was 127498 see note-12 below
	Diff Case-LH (Plain Half)-Diff Lock Mdl	1	---	128607	
14	Capscrew	12	127465	128619	

NOTE 1: On June 3, 2002, the design of the carrier mounting flange changed. The new carrier's are designed with a "Thick Flange". Carriers designed with a "Thick Flange" require the use of "long" capscrews. The fastening hardware for these models can be found on pages 23-24 of this IPL. Refer to Dana bulletin ABIB-0210R1 for further details.

NOTE 12: All diff case halves are now available separately. Design enhancements in the diff cases were released in 2007, refer to bulletin ABIB-0704.

Single Reduction-Forward Axles Before June 2008

Item	Description	Qty	DSP40(P) DSP41(P)	DDP40(P) DDP41(P)	Notes
WHEEL DIFF SIDE GEAR KIT			510397	510397	Includes items 15-19
WHEEL DIFF KIT w/o SIDE GEARS			510396	510396	Includes items 16-19
15	Side Gear 41 Inv spline	2	127368	127368	
16	Side Gear Thrust Washer	2	127386•	127386•	
17	Side Pinion Thrust Washer	4	129305•	129305•	
18	Side Pinion	4	133784	133784	Was 129765
19	Diff Spider	1	129599	129599	
RING GEAR NUT & BOLT KIT			508652	508652	Includes items 20-21
20	Nut	16	126216	126216	
21	Bolt	16	129686	129686	129686 Replaces 128806
22	Pinion Pilot Brg	1	127484•*	127484•*	
23	Pinion Brg Cone - Inner	1	129560•*	129560•*	
24	PINION BRG SPACER (SVC KIT)	AR	504043	504043	Individual Pinion Bearing Spacers Listed on page 11
25	Pinion Brg Cage & Cup Assy Cage #127488C NSS	1	129767	129767	Includes item 25-27
26	Pinion Brg Cup - Inner	1	129561•*	129561•*	
27	Pinion Brg Cup - Outer	1	012495•*	012495•*	
28	Pinion Brg Cone - Outer	1	127535•*	127535•*	
29	Capscrew	6	210115	210115	
30	Pinion Helical Gear	1	127523	127523	
31	Roll Pin	1	118807	118807	
32	Slotted Pinion Nut	1	126182	126182	
33	Output Shaft O-Ring	2	127545•	127545•	
34	Output Shaft Brg Cup	1	127536•*	127536•*	
35	Output Shaft Brg Cone	1	110812•*	110812•*	
36	Output Shaft Side Gear	1	127645	127645	
37	Snap Ring	1	085997•	085997•	
38	Inter-Axle Diff Assy	1	134192	134192	Replaces 128634 and 129771
39	Helical Side Gear & Bushing Gear #130906 NSS	1	130907	130907	Replaces 127495 Includes Item 40
40	Bushing - Helical Gear	2	129371	129371	Replaces 127543
41	Thrust Washer - Helical Gear	1	128702•	128702•	
42	Lockout Sliding Clutch	1	127510	127510	
43	Input Shaft Kit shaft# 129770-NSS	1	510593	510593	Includes Items 41, 43, 55 Replaces 510394
44	Oil Retainer	1	128700•	128700•	

Single Reduction-Forward Axles Before June 2008

Item	Description	Qty	DSP40(P) DSP41(P)	DDP40(P) DDP41(P)	Notes
45	Input Shaft Bearing Cone	1	129558●*	129558●*	Replaces 820643
46	PDU Cover	1	130823	130823	See Note 46, replaces 129572
47	Washer	11	128415	128415	
48	Capscrew Long	11	210091	210091	See Note 46
49	Bearing Cup	1	1008912●*	1008912●*	Can use 129559
OIL SEAL & SHIM KIT		1	216224	216224	Includes shims & oil seals 127591/127592
PINION CAGE SHIM KIT		1	504032	504032	Includes 5 each of the shims listed below
50	Shim.003"	AR	127595●	127595●	
	Shim.005"		127596●	127596●	
	Shim.010"		127597●	127597●	
	Shim.020"		127598●	127598●	
	Shim.030"		127599●	127599●	
51	Oil Seal-V-Ring	1	128703●*	128703●*	
52	Input Brg Cover Assy - #129574C		129575	129575	Includes item 49
53	Bearing Cover Cap Screw	6	210115	210115	
54	Oil Seal	1	127591●*	127591●*	
55	Locknut	1	128049	128049	In 510394 Kit (M42-1.5)
56	Lube Trough	1	129577	129577	
57	Shift Fork Assy - NSS	1	129856	129856	Order Kit 510870
58	Compression Spring	1	129859	129859	
SHIFT FORK & COMPRESSION SPRING KIT		1	510870	510870	Includes 57-58
59	Piston Cover Assy	1	129573	129573	Includes Cover #129578 & Item 60
60	O-Ring	1	129579	129579	
61	Piston	1	129580	129580	
62	O-Ring	1	210180	210180	
63	Shipping Plug	1	599792	599792	
64	Lube Pump Assembly	1	127534	127534	Pump Models Only
65	Capscrew	3	127551	127551	Pump Models Only
66	Drive Coupling - Service	1	128628	128628	Pump Models Only
67	Pipe Plug	5	090897	090897	Pump Models Only
68	Filter Screen Assy	1	127649	127649	Pump Models Only
69	Thrust Screw	1	126193	126193	M24 x 2-6g
70	Jam Nut	1	210184	210184	
71	RTV - Sealant	1	107276S●*	107276S●*	Not Illustrated

NSS - Not Sold Separately

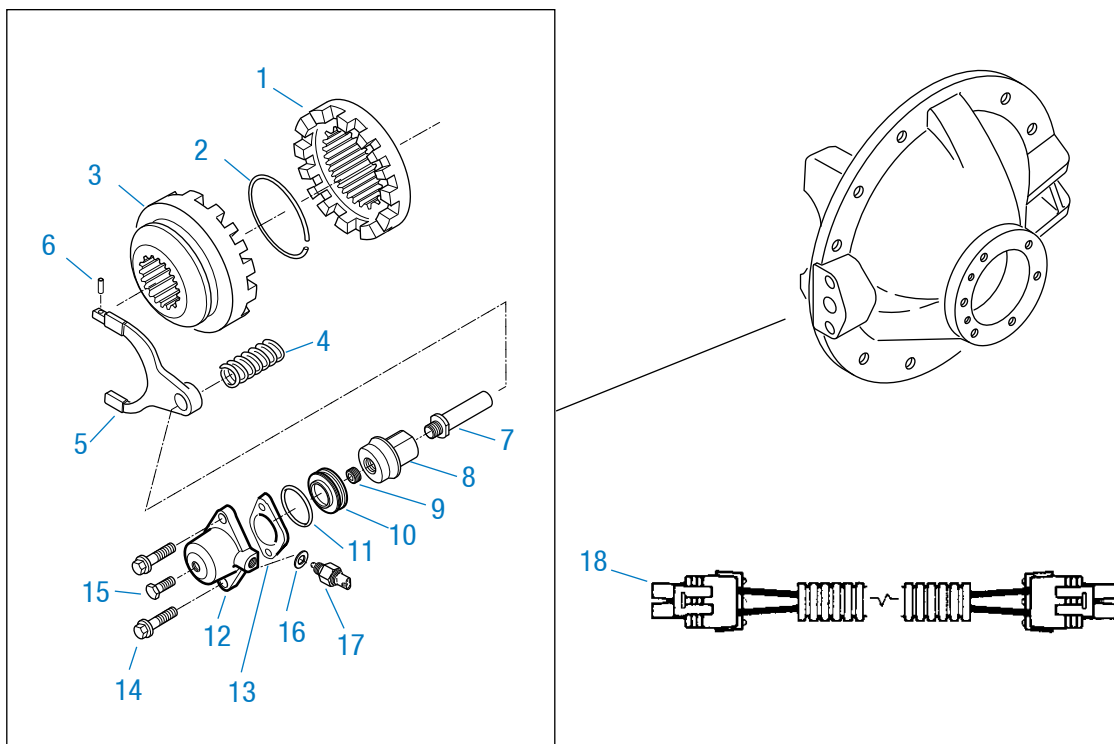
NOTE 46: On June 3, 2002, the design of the power divider cover changed. The original PDU covers (P/N: 129572) have 9 holes and require 9 fasteners. The current design PDU covers (P/N: 130823) have 11 holes and require the use of 11 long fasteners. The new 130823 PDU covers now replace the 129572 covers in service. The 9-hole PDU cover will NOT work on a carrier machined with 11 holes, use like PDU covers with like carriers.

Summary of Kits and Assemblies

Air L/O Kit - Complete	510052	Includes items 57- 59, 61- 62
Repair Kit	510053	Includes items 59, 61-62
Shift Fork & Compression Spring Kit	510870	Includes 57-58

Wheel Differential Lock Assembly

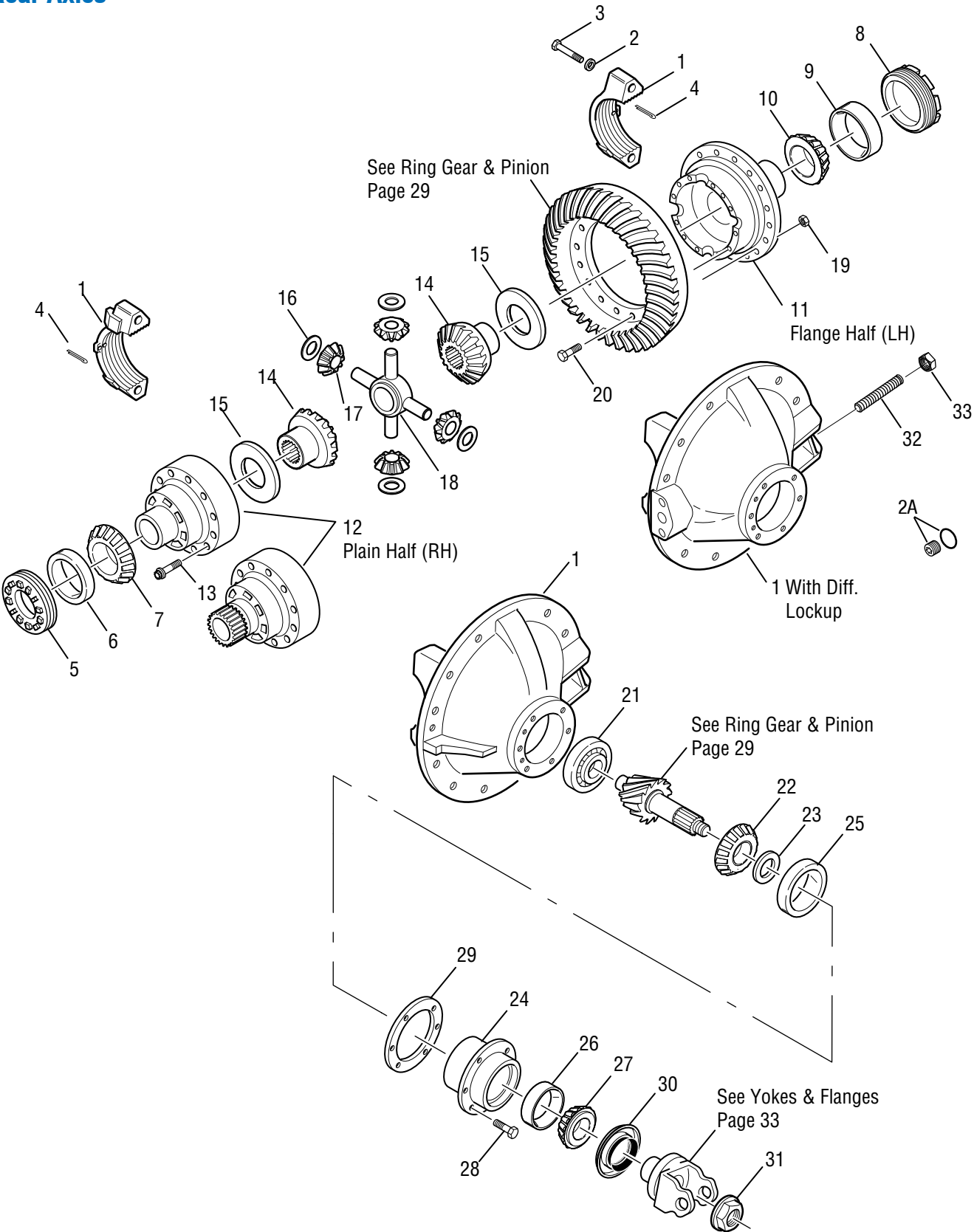
Wheel Differential Lock Assembly



Item	Description	Qty	All Diff Lock Models	Notes
1	Fixed Curvic Clutch Gear	1	128627	
2	Snap Ring	1	129433	
3	SL Curvic Clutch Gear - 41 Inv spline	1	126840	
4	Compression Spring	1	128614	
SHIFT FORK ASSY			217465	Includes items 5-6
5	Shift Fork - 128611C NSS	1	—	128609 Fork – NSS
6	Spring Pin	1	210020	
7	Push Rod	1	128617	
8	Piston Driver	1	128640	
9	Set Screw	1	128618	
10	Piston	1	128624	
11	O-Ring	1	210180	
12	Piston Cover	1	129425	
13	Gasket	1	128643	
14	Capscrew - Flg Head	2	128744	
15	Capscrew	1	128274	M12 x 1.5
16	Washer	1	129034	
17	Switch	1	129035	
18	Wiring Harness	1	129047	

Rear Axles

Rear Axles



Rear Axles

Rear Axles

Item	Description	Qty	P20060 P22060 RSP40 RSP41	P20060D P22060D RDP40 RDP41	Notes
BASIC OVERHAUL KIT			510398	510400	Contents Identified with •
1	DIFF CARR & BRG CAPS KIT Includes 1-3, 32-34 and fasteners from 512087 page 24 See Note-1		510018 ---	--- 510017	Casting # 130824 Casting # 130827
2	Flat Washer	4	210288	210288	
2a	Plug & O-Ring Assembly	1	131809	131809	O-ring not sold seperately
3	Capscrew	4	210095	210095	
4	Cotter Pin	2	90873	90873	
5	Diff Brg Adjuster - Plain Half	1	129130	128616	
6	Bearing Cup - Plain Half	1	129566 •	015092 •	
7	Bearing Cone - Plain Half	1	129565 •	128604 •	
8	Diff Brg Adjuster - Flange Half	1	129128	129128	
9	Bearing Cup - Flange Half	1	129564 •	129564 •	
10	Bearing Cone - Flange Half	1	129563 •	129563 •	
WHEEL DIFF. CASE KITS					Includes items 11-13
11	Diff Case-RH (Flg Half) 133737 (was 129464)note-11 133738 (was 129465)note-11 133739 (was 129466)note-11 133740 (was 129467)note-11	1	508653 508654 508655 508656	508724 508725 508726 508727	Ratios 2.64 to 3.25 Ratios 3.36 to 3.90 Ratios 4.11 to 4.88 Ratios 5.29 to 7.17
12	Diff Case-LH (Plain Half)-Standard Diff Case-LH (Plain Half)-Diff Lock	1 1	132437 ---	--- 128607	Was 127498 see note-11 below
13	Capscrew	12	127465	128619	
WHEEL DIFF SIDE GEAR KIT			510397	510397	Includes items 14-18
WHEEL DIFF KIT w/o SIDE GEARS			510396	510396	Includes items 15-18
14	Side Gear 41 Inv spline	2	127368	127368	
15	Side Gear Thrust Washer	2	127386 •	127386 •	
16	Side Pinion Thrust Washer	4	129305 •	129305 •	
17	Side Pinion	4	129765	129765	
18	Diff Spider	1	129599	129599	

NOTE 1: On June 3, 2002, the design of the carrier mounting flange changed. The new carrier's are designed with a "Thick Flange". Carriers designed with a "Thick Flange" require the use of "long" capscrews. The fastening hardware for these models can be found on pages 23-24 of this IPL. Refer to Dana bulletin ABIB-0210R1 for further details.

NOTE 11: All diff case halves are now available separately. Design enhancements in the diff cases were released in 2007, refer to bulletin ABIB-0704.

Rear Axles

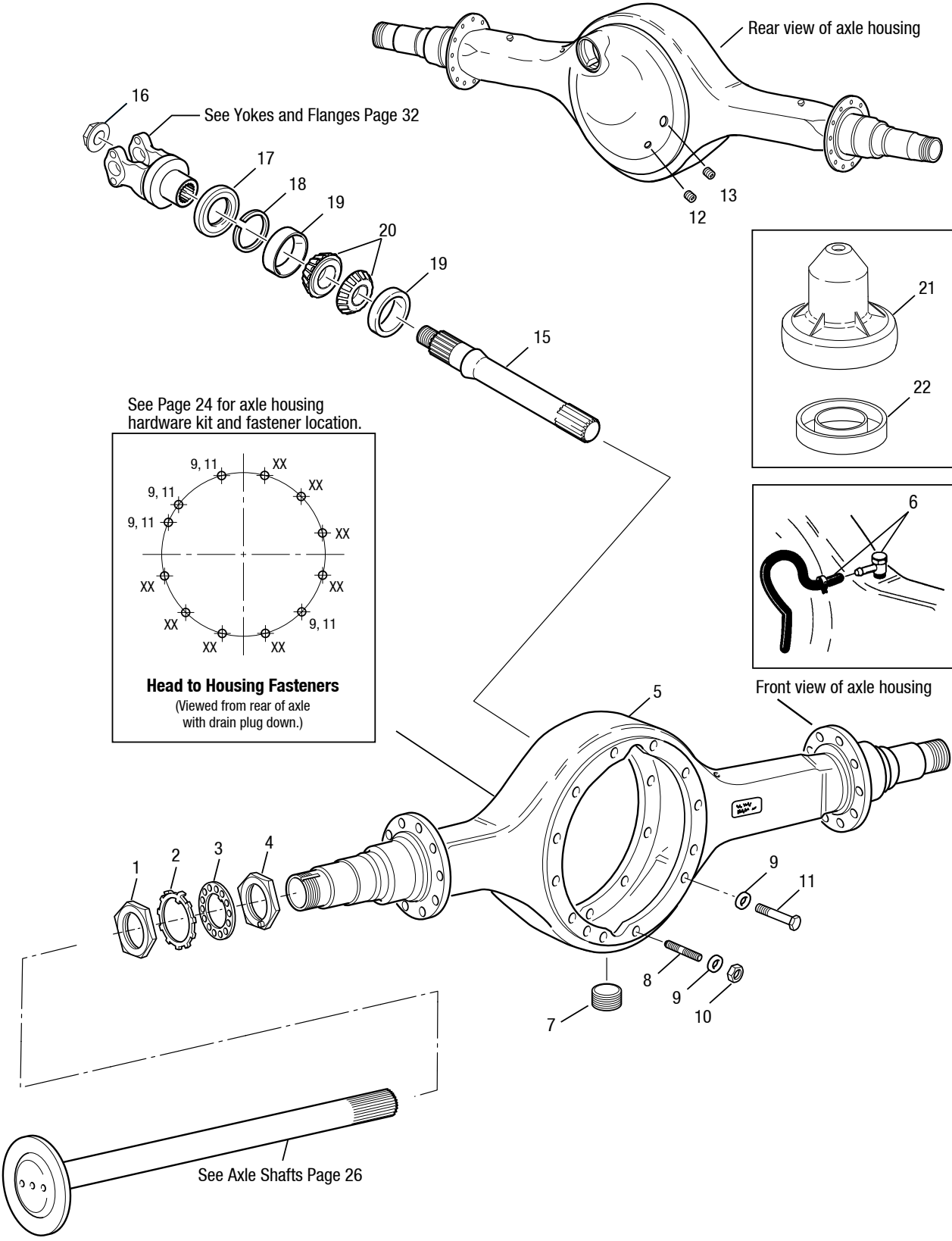
Rear Axles

Item	Description	Qty	P20060 P22060 RSP40 RSP41	P20060D P22060D RDP40 RDP41	Notes
RING GEAR NUT & BOLT KIT			508652	508652	Includes items 19-20
19	Nut	16	126216	126216	
20	Bolt	16	129686	129686	
21	Pinion Pilot Brg	1	127485 •	127485 •	
22	Pinion Brg Cone - Inner	1	129562 •	129562 •	
23	PINION BRG SPACER (SVC KIT)	1	504016	504016	Individual Pinion Brg Spacers Listed on page 11
24	Pinion Brg Cage & Cup Assy	1			Includes items 24-26
	Cage #127481C NSS		129768	129768	Standard Design
	Cage #129995C NSS		129996	129996	Parking Brake Design
25	Pinion Brg Cup - Inner	1	129561 •	129561 •	
26	Pinion Brg Cup - Outer	1	012495 •	012495 •	
27	Pinion Brg Cone - Outer	1	012496 •	012496 •	
28	Capscrew	6	210115	210115	
OIL SEAL & SHIM KIT			216225	216225	Includes items 29-30, 34
PINION CAGE SHIM KIT			504032	504032	Includes 5 each of the shims listed below
29	Shim.003	AR	127595 •	127595 •	
	Shim.005		27596 •	127596 •	
	Shim.010		27597 •	127597 •	
	Shim.020		27598 •	127598 •	
	Shim.030		27599 •	127599 •	
30	Oil Seal	1	127591 •	127591 •	
31	Pinion Nut	1	127589	127589	M36 x 1.5 (55mm socket)
32	Thrust Screw	1	126193	126193	M24 x 2-6g
33	Jam Nut	1	210184	210184	
	RTV Sealant	1	107276S •	107276S •	Not Illustrated

NSS - Not Sold Separately

Output Shaft and Axle Housings

Output Shaft and Axle Housings



Output Shaft and Axle Housings

Output Shaft and Axle Housings

Item	Description	Qty	Part No.	Notes
1	Outer Bearing Adjuster Nut	2	119881	
2	Lockwasher - w/Tab	2	129132	
3	Dowel-Type Lockwasher	2	119883	
4	Inner Bearing Adjuster Nut	2	119882	
5	Axle Housing Assy	1		See your OEM Catalog
6	U-Tube Breather Kit	1	507162	
7	Magnetic Drain Plug - 3/4"	1	54254	All D/R models
8-11	Carrier to Hsg Fasteners			See Page 24
12	Non-Magnetic Plug 3/4"	1	129492	
12	Magnetic Plug - 3/4"	1	129491	
13	Temperature Sensor Plug 1/2"	1	90898	
14	Lube Tag (for 3/4" Plug)	1	129486	Part - Not Illustrated
OUTPUT SHAFT KIT		1	216227	Includes Items 15-16
15	Output Shaft - #127646 NSS			
16	Locknut - Hex	1	127588	M39 x 1.5 (55mm socket)
17	Oil Seal	1	127592•*	
18	Snap Ring .103"	1	129594•*	
19	Bearing Cup	2	127539•*	
20	Bearing Cone	2	127540	
21	Seal Driver	1	126917	In Kit 217414 - See Page 34
22	Adapter	1	128706	In Kit 217414 - See Page 34
23	Loctite Adhesive	1	129293	Not Illustrated, .5 ml Tube
24	RTV Sealant	1	107276S	Not Illustrated, 3 oz. Tube

NSS - Not Sold Separately

• Included in basic overhaul kits - forward models

* Included in bearing kits - forward models

Carrier Mounting Flange Design Change

Carrier Mounting Flange Design Change

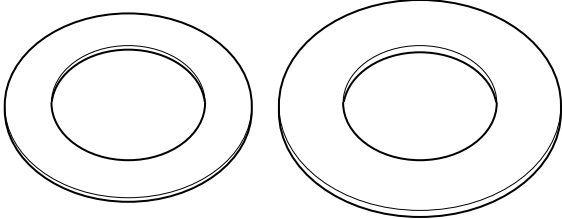
Beginning June 3rd, 2002, the nominal thickness of the carrier to housing flange was increased in the DSP40(P), DSP41(P), DDP40(P), DDP41(P), RSP40, RSP41, RDP40 and RDP41 models. This change required the use of new fastener parts. A new (45mm) capscrew (P/N 130836) was released as it replaced both 210173 and 130158 old design capscrews. Additionally, a much thicker boss was added to the flange at the 12:00 & 6:00 o'clock positions. These new thicker flange bosses require an even longer (70mm) capscrew (P/N 130837). A thicker and larger diameter flat washer (P/N 130877) was also released as part of this upgrade. The new washer replaces existing washer 29804. The existing stud (P/N 127641) and nut (P/N 127567) are not affected by these changes and will continue to be used.

SERVICE CARRIER NOTE:

With the popularity of Dana carriers inventory of both early design carriers and new "Thick Flange" design carriers exist. If you have a vehicle that was originally equipped with a Dana axle built with the "Thick Flange" carrier design, it can be universally serviced with an early style (Thin Flange) carrier unit. The repairing dealer must simply make sure to use the correct axle housing hardware parts when installation is done. New carriers built with the thick flange design, will include the necessary thick flange hardware kit to minimize any down time to the customer.

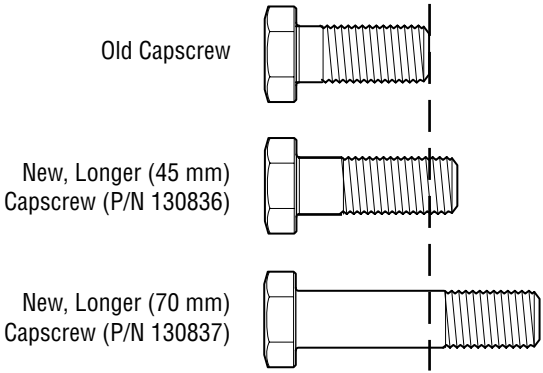
- Differentials with "THICK FLANGE" carriers use axle housing hardware kit (P/N 512087).
- Early design differentials with "THIN FLANGE" carriers use axle housing hardware kit (P/N 511600).

New Axle Housing Fasteners



Old Flat Washer

New, Wider and Thicker Flat Washer (P/N 130877)



Old Capscrew

New, Longer (45 mm) Capscrew (P/N 130836)

New, Longer (70 mm) Capscrew (P/N 130837)

IMPORTANT!

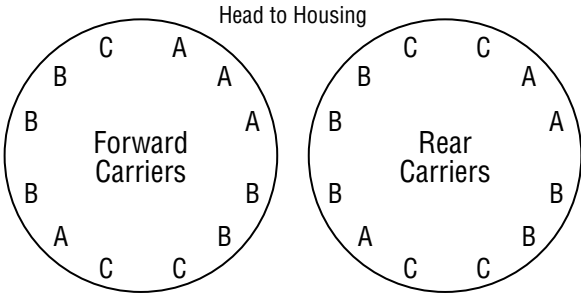
Dana does not recommend the mixing of various designs carrier-to housing capscrews on the same assembly. Whether mixing or not, torques must be measured using a calibrated torque wrench. Failure to re-torque bolts and nuts to proper specifications may lead to carrier to housing leaks and possible component damage.

Carrier Mounting Flange Design Change

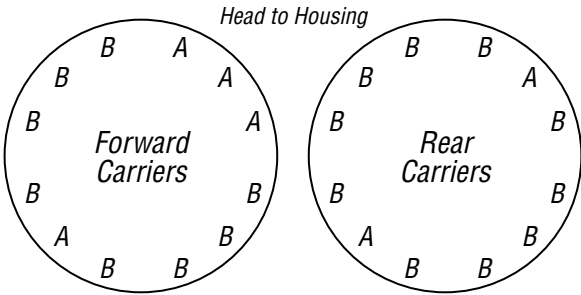
Axle Housing Fasteners

On June 3, 2002 the DSP/RSP40 family models were upgraded to the new "Thick Flange" carrier design as fully detailed in Dana bulletin AXIP-0210r1. Shown below are the axle housing hardware kits and fastener locations for both variations. View fastener locations as if installing differential into the axle housing.

Thick Flange – After 6/3/02



Original Design Flange – Before 6/3/02*



- A – 127641 Studs & 127567 Nuts
- B – 130836 Capscrews – Short (45 mm)
- C – 130837 Capscrews – Long (70 mm)
- D – 130877 Flat Washers – All Locations

512087 Hardware Kit (Thick Flange)

Part No.	Qty.	Description
107276S	1	RTV Sealant 3 oz. Tube
127567	4	Nut
127641	4	Stud
129293	1	Loctite 271 0.5 ml. Tube
130836	8	Capscrew (45 mm) - Short
130837	4	Capscrew (70 mm) - Long
130877	12	Washer
shais136	1	Instruction Sheet - Thick Flange

511600 Hardware Kit

Part No.	Qty.	Description
107276S	1	RTV Sealant 3 oz. Tube
127567	4	Nut
127641	4	Stud
129293	1	Loctite 271 0.5 ml. Tube
130836	10	Capscrew (was 130158)
130877	12	Washer (was 29804)
shais131	1	Instruction Sheet

Carrier Mounting Flange Design Change

Casting & Service Parts Cross-Reference Listing

Below are two helpful cross-reference charts. Chart-A shows “casting” numbers that can quickly identify the old design parts versus the new design parts. Chart-B is a “service parts” cross-reference listing. The part numbers in this chart are sorted by part type; refer to the “New Part Description” column.

Chart A: Part Number Cross-Reference - Casting Numbers

New Casting Part No.	Old Casting Part No.	Description	Model
130809	129539, 129540	Diff. Carrier Casting	DSP40, DSP41
130814	129550	Diff. Carrier Casting	DDP40, DDP40(P), DDP41, DDP41(P)
130819	129551	Diff. Carrier Casting	DSP40(P), DSP41(P)
130822	129571	PDU Cover Casting	All “D” Forward Carriers - 11 hole
130824	129351C, 129541	Diff. Carrier Casting	RSP40, RSP41
130827	128600	Diff. Carrier Casting	RDP40, RDP41

Chart B: Part Number Cross-Reference - Service Parts

Current Service Part No.	Replaces Old Service Part No.	New Part Description	Notes
511600	None	Axle Hsg hardware Kit - Thin Flange Models	Use only in Models with Thin Flange Carrier Design
512087	None	Axle Hsg hardware Kit - Thick Flange Models	Use only in Models with Thick Flange Carrier Design
130836	130158, 210173	Capscrew - 45 mm	Use in All Models (New & Old Design)
130837	None	Capscrew - 70 mm	Use only in Models with Thick Flange Carrier Design
130158	NLA	Capscrew - 40 mm	Replaced by 130836 Capscrew
210173	NLA	Capscrew - 40 mm	Replaced by 130836 Capscrew
130877	29804*	Flat Washer	Use in All Models (New & Old Design) - *Old Part Not Obsolete
29804*	None	Flat Washer	Used only in Brake Assemblies - *Part Not Obsolete
130823	129572	PDU Cover - 11 hole	All “D” Forward Carriers (new cover uses 11 capscrews)
129572	NLA	PDU Cover - 9 hole	Old and new covers not interchangeable
510023	NLA-NOTE 1	Carrier & Cap Kit	DSP40, DSP41
510024	NLA-NOTE 1	Carrier & Cap Kit	DSP40(P), DSP41(P)
510027	NLA-NOTE 1	Carrier & Cap Kit	DDP40, DDP41
510028	NLA-NOTE 1	Carrier & Cap Kit	DSP40(P), DSP41(P)
510017		Carrier & Cap Kit (131828)	RDP40, RDP41
510018		Carrier & Cap Kit (131812)	RSP40, RSP41

NOTE 1: The original carrier & cap kits for models produced before JUNE 2008 were discontinued in 2008. Reference Dana bulletin abib-0805.

Axle Shafts

Axle Shafts

Dana Spicer axle shafts are used in “sets”, have unequal shaft lengths and may be “location specific” or “Wheel Equipment specific”. When replacing axle shafts, locate the axle shaft part number (see Model Identification in front of IPL) or select the correct axle shaft from the chart below, before placing your order.

DO NOT MISPLACE AXLE SHAFTS FROM THEIR INTENDED LOCATION.

Note: STR - Straight, TPR - Tapered

Axle Shafts - Single Reduction Models

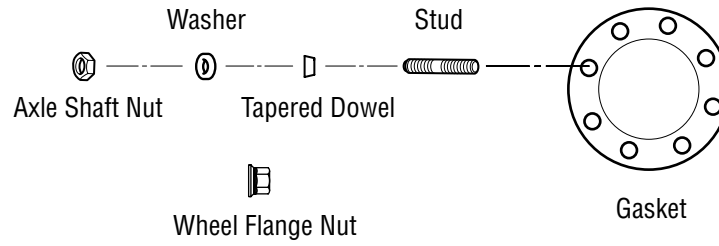
Model	Part No.	Qty	Body Spline	Shaft O.D.	Spline Length	Flange Length	Flange O.D.	Holes
DSP40	127437	1	41	1.87	38.976	4"	8.500	8(.635) STR
	127438	1	41	1.87	43.307	4"	8.500	8(.635) STR
RSP40	128514	1	41	1.87	38.130	4"	8.500	8(.773) STR
DSP41	128515	1	41	1.87	42.460	4"	8.500	8(.773) STR
RSP41	128516	1	41	1.87	38.976	4"	8.500	8(.948) TPR
P20060D	128517HX	1	41	1.87	43.307	4"	8.500	8(.948) TPR
P22060D	128521	1	41	1.87	38.130	4"	8.500	8(.948) TPR
	128522	1	41	1.87	42.460	4"	8.500	8(.948) TPR

Axle Shafts - Diff Lock Models

Model	Part No.	Qty	Body Spline	Shaft O.D.	Spline Length	Flange Length	Flange O.D.	Holes
DDP40	127437	1	41	1.87	38.976	4"	8.500	8(.635) STR
	128435	1	41	1.87	43.307	11"	8.500	8(.635) STR
RDP40	128514	1	41	1.87	38.13	4"	8.500	8(.773) STR
DDP41	128559	1	41	1.87	42.46	11"	8.500	8(.773) STR
RDP41	128516	1	41	1.87	38.976	4"	8.500	8(.948) TPR
P20060D	128561HX	1	41	1.87	43.307	11"	8.500	8(.948) TPR
P22060D	128521	1	41	1.87	38.13	4"	8.500	8(.948) TPR
	128563	1	41	1.87	42.46	11"	8.500	8(.948) TPR

Axle Shafts

Axle Shaft Hardware



Part Number	Description	Dim. A	Dim. B	Dim. C	Notes
13885	Tapered Dowel	1.00"	.630"	.469"	For 5/8" studs - Split Dowel Design
132993	Tapered Dowel	1.00"	.630"	.469"	For 5/8" studs
13886	Gasket				8 hole
29804	Washer				
60600	Axle Shaft Nut				5/8", 18 thread
127794	Stud - Wheel				5/8", 18 thread

Gear & Pinion Kits

Gear & Pinion Kits

Dana has highly developed primary axle gearing which is only used in matched sets. These sets are identified by the mating parts listed below. Within any Dana production drive axle or genuine Spicer® Gear & Pinion service kits, these mated part numbers will appear. Because they are developed as a set with precision machining, never mix gears and pinions from different mated sets within an axle. Shortened gearing life, noise and failure may occur. Always use genuine Spicer® products.

D - Forward Axles

DSP/DDP40, DSP/DDP41

Pinion Nut Part No. 126182

Ratio	Spicer Kit	Mated Gear/Pinion Set 2-axis		Mated Gear/Pinion Set 3-axis		Tooth Combo	Ring Gear Size (in.)
		Gear(NSS)	Pinion(NSS)	Gear(NSS)	Pinion(NSS)		
2.64	211462	127387	127439	-----	-----	37/14	14.90
2.85	211463	127388	127440	132228	132197	37/13	15.40
2.93	509423	129532	129531	132229	132198	41/14	15.40
3.08	513386	127388	129716	132230	132200	37/12	15.40
3.25	513385	127389	130120	132232	132303	39/12	15.40
3.36	513384	127388	130121	132234	132304	37/11	15.40
3.42	504056	-----	-----	134327	134328	41/12	15.40
3.55*	513383	127389	130122	132236	132305	39/11	15.40
3.70	513382	127388	130123	132238	132307	37/10	15.40
3.90	513381	127389	130124	132240	132309	39/10	15.40
4.11*	513380	127388	130125	132242	132311	37/9	15.40
4.33	513379	130201	130126	132244	132309	39/9	15.40
4.63	513378	130196	129733	132246	132216	37/8	15.70
4.88	513377	130197	129735	132248	132217	39/8	15.70
5.29	513376	130196	129816	132250	132220	37/7	15.70
5.57	513375	130197	129820	132252	132222	39/7	15.70
6.17	513374	127390	129843	132254	132224	37/6	15.65
6.50	211477-nla	127391	127454	-----	-----	39/6	15.40
6.50	511571	130204	127454	134017	134019	39/6	15.65
7.17	511572	130178	130177	-----	-----	43/6	15.65

NSS – Not Sold Separately

Note: Beginning in mid-2004, original design production carriers and Spicer service gear/pinion kits both included primary gearing that was made from different gear cutting machines (2-axis vs 3-axis). In certain ratios*(3.55, 4.11) when doing a replacement or rebuild with a gear set that is not exactly like the original, it will require a differential flange half case change. This is dependant on whether a 2-axis or 3-axis design gear set is being used as a replacement versus the original gear set in the carrier at the time of replacement. All flange half differential cases are now available thru Dana as individual components.

Gear & Pinion Kits

R - Rear Axle

RSP/RDP40, RSP/RDP41, P20060, P22060S/D

39-1.95" Inv Spline

Pinion Nut Part No. 127589

Ratios	Spicer Kit	Mated Gear/Pinion Set 2-axis		Mated Gear/Pinion Set 3-axis		Tooth Combo	Ring Gear Size (in.)
		Gear(NSS)	Pinion(NSS)	Gear(NSS)	Pinion(NSS)		
2.64	211478	127380	127420	132112	132068	37/14	14.90
2.85	211479	127381	127421	132113	132069	37/10	15.40
2.93	509424	129534	129533	132114	132070	41/14	15.40
3.08	513373	127381	129737	132115	132072	37/12	15.40
3.25	513372	127382	130127	132117	132074	39/12	15.40
3.36	513371	127381	130128	132119	132076	37/11	15.40
3.42	504055	-----	-----	134325	134326	41/12	15.40
3.55*	513370	127382	130129	132121	132080	39/11	15.40
3.70	513369	127381	130130	132123	132083	37/10	15.40
3.90	513368	127382	130131	132125	132086	39/10	15.40
4.11*	513367	127381	130132	132127	132089	37/9	15.40
4.33	513366	130200	130133	132130	132094	39/9	15.40
4.63	513365	130194	129748	132132	132097	37/8	15.70
4.88	513364	130195	129750	132135	132101	39/8	15.70
5.29	513363	130194	129818	132137	132104	37/7	15.70
5.57	513362	130195	129822	132139	132107	39/7	15.70
6.17	513361	127383	129844	132141	132109	37/6	15.65
6.50	211493	127384	127435	132143	132110	39/6	15.65
7.17	211494	127385	127436	132145	132111	43/6	15.65

NSS – Not Sold Separately

Note: Beginning in mid-2004, original design production carriers and Spicer service gear/pinion kits both included primary gearing that was made from different gear cutting machines (2-axis vs 3-axis). In certain ratios*(3.55, 4.11) when doing a replacement or rebuild with a gear set that is not exactly like the original, it will require a differential flange half case change. This is dependant on whether a 2-axis or 3-axis design gear set is being used as a replacement versus the original gear set in the carrier at the time of replacement. All flange half differential cases are now available thru Dana as individual components.

Service Carriers - Single Reduction

DSP40(P), DSP41(P)

Single Reduction

41 Inv Spline

Ratio	Non-Pump Service Carrier	Pump Service Carrier	Old Part Number Non-Pump	Old Part Number Pump
2.64	682965	682997	675965	675997
2.85	681529	681530	N/A	N/A
2.93	682966	682998	675966	675998
3.08	682967	682999	675967	675999
3.25	682968	682000	675968	676000
3.36	682969	682001	675969	676001
3.42	681535	681536	N/A	N/A
3.55	682970	682002	675970	676002
3.70	682971	682003	675971	676003
3.90	682972	682004	675972	676004
4.11	682973	682005	675973	676005
4.33	682974	682006	675974	676006
4.63	682975	682007	675975	676007
4.88	682976	682008	675976	676008
5.29	682977	682009	675977	676009
5.57	682978	682010	675978	676010
6.17	682979	682011	675979	676011
6.50	682980	682012	675980	676012
7.17	682014	682013	N/A	N/A

DDP40(P), DDP41(P)

41 Inv Spline

Ratio	Non-Pump Service Carrier	Pump Service Carrier	Old Part Number Non-Pump	Old Part Number Pump
2.64	682949	682981	675949	675981
2.85	681532	681533	N/A	N/A
2.93	682950	682982	675950	675982
3.08	682951	682983	675951	675983
3.25	682952	682984	675952	675984
3.36	682953	682985	675953	675985
3.42	681538	691539	N/A	N/A
3.55	682954	682986	675954	675986
3.70	682955	682987	675955	675987
3.90	682956	682988	675956	675988
4.11	682957	682989	675957	675989
4.33	682958	682990	675958	675990
4.63	682959	682991	675959	675991
4.88	682960	682992	675960	675992
5.29	682961	682993	675961	675993
5.57	682962	682994	675962	675994
6.17	682963	682995	675963	675995
6.50	682964	682996	675964	675996
7.17	682015	682016	N/A	N/A

Service Carriers - Single Reduction

RSP40, RSP41, P20060S, P20060SR, P22060S, P22060SR

41 Inv Spline

Ratio	Service Carrier	Retarder Ready Service Carrier
2.64	676029	N/A
2.85	681531	N/A
2.93	676030	N/A
3.08	676031	681514
3.25	676032	681515
3.36	676033	681516
3.42	681537	N/A
3.55	676034	681517
3.70	676035	681518
3.90	676036	681519
4.11	676037	681520
4.33	676038	681521
4.63	676039	681522
4.88	676040	681523
5.29	676041	681524
5.57	676042	681525
6.17	676043	681526
6.50	676044	681527
7.17	681443	N/A

RDP40, RDP41, P20060D, P20060DR, P22060D, P22060DR

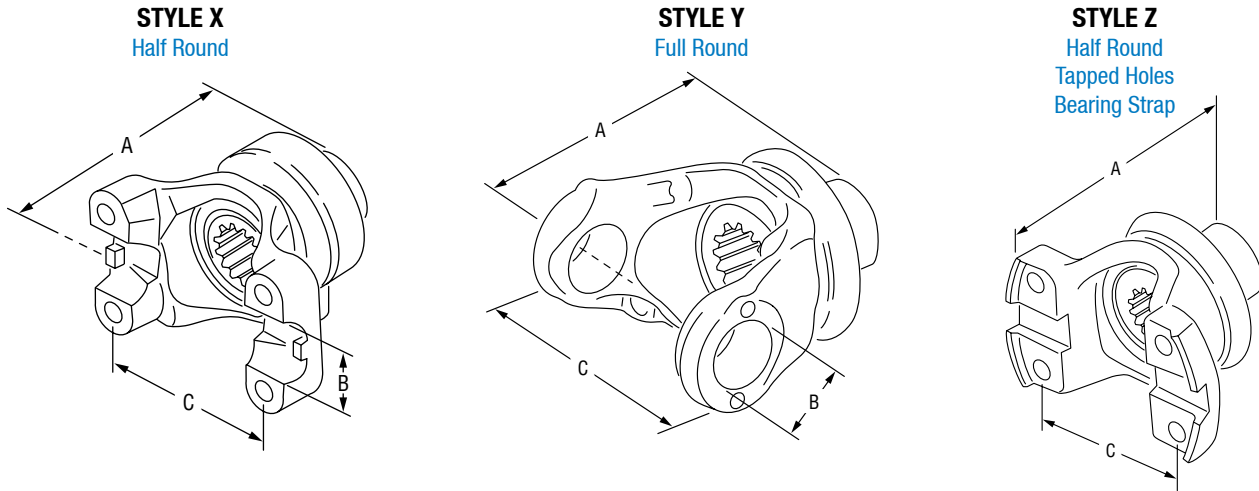
41 Inv Spline

Ratio	Service Carrier	Retarder Ready Service Carrier
2.64	676013	N/A
2.85	681534	N/A
2.93	676014	N/A
3.08	676015	681463
3.25	676016	681464
3.36	676017	681465
3.42	681540	N/A
3.55	676018	681466
3.70	676019	681467
3.90	676020	681468
4.11	676021	681469
4.33	676022	681470
4.63	676023	681471
4.88	676024	681472
5.29	676025	681473
5.57	676026	681474
6.17	676027	681475
6.50	676028	681476
7.17	681444	681477

Yokes and Flanges

Yokes and Flanges

The following yoke reference information can be used for ordering replacement yoke assemblies for new service carriers. Shown below are original production part numbers and shown next to them are how those Yoke & Slinger Assy's are serviced thru the Dana's aftermarket. Always double check part supersession and options before ordering product.



Forward Axle - Input / 44 - 2.250 Involute Spline

Production Yoke & Slinger Assy#	Service Part Number	Series	Joint Angle	Style	Dimensions (in inches):		
					A	B	C
127550	6-4-8981-1X	1710	23°	Y	5.19	1.94	6.09
127617	6-4-8981-1X	1710	30°	X	5.19	1.94	6.19
127618	6.3-4-5221X	1760	30°	Y	5.25	1.94	7.00
127619	6.5-4-4571X	1810	30°	Y	5.25	1.94	7.55
127620	5-4-9261-1X	1610	35°	X	5.00	1.88	5.31
127621	6.5-4-4571-1X	1810	30°	X	5.25	1.94	7.64
127622	6.3-4-5221-1X	1760	30°	X	5.25	1.94	7.09
210831	170-4-201-1X	SPL170	25°	X	5.27	2.16	5.51
210833	250-4-81-1X	SPL250	25°	X	5.49	2.36	5.31

Forward Axle - Output / 39 - 1.950 Involute Spline

Production Yoke & Slinger Assy#	Service Part Number	Series	Joint Angle	Style	Dimensions (in inches):		
					A	B	C
127558	6-4-9041X	1710	30°	Y	5.25	1.94	6.09
127624	6-4-9001X	1710	45°	Y	6.12	1.94	6.09
127638	5-4-9271X	1610	45°	Y	6.00	1.88	5.31
128722	6-4-9001-1X	1710	39.5°	X	6.12	1.94	6.19
128737	6-4-9041-1X	1710	30°	X	5.25	1.94	6.19
210835	170-4-221-1X	SPL170	25°	X	5.27	2.16	5.51
210837	170-4-241-1X	SPL170	45°	X	6.50	2.16	5.51

Yokes and Flanges

Yokes and Flanges

Rear Axle - Input / 39 - 1.95 Involute Spline

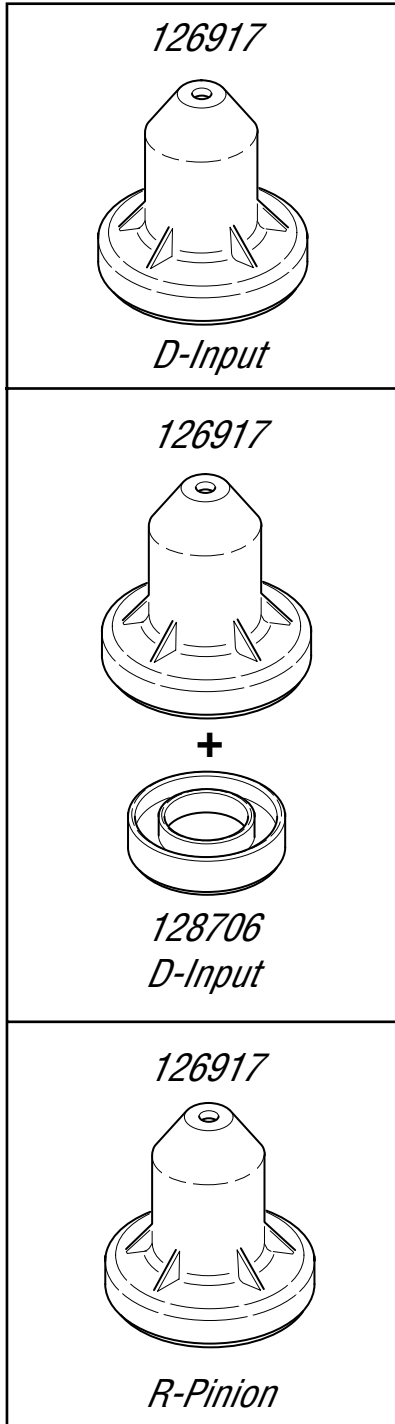
Production Yoke & Slinger Assy#	Service Part Number	Series	Joint Angle	Style	Dimensions (in inches):		
					A	B	C
127415	6-4-9031X	1710	30°	Y	5.25	1.94	6.09
127637	6-4-8991X	1710	45°	Y	6.12	1.94	6.09
128720	5-4-8261	1610	45°	Y	6.00	1.88	5.31
128721	128721	1610	22°	Y	4.72	1.88	5.31
128745	6-4-9031-1X	1710	30°	X	5.25	1.94	6.19
128746	6-4-8991-1X	1710	39.5°	X	6.12	1.94	6.19
129019	5-4-9241-1X	1610	45°	X	6.00	1.88	5.31
129043	5-4-9231-1X	1610	23°	X	4.88	1.88	5.31
129164	3-4-13081-1X	1480	19°	X	4.34	1.38	3.69
129166	4-4-7571-1X	1550	24.5°	X	4.30	1.38	4.47
210839	170-4-261-1X	SPL170	25°	X	5.16	2.16	5.51
210841	170-4-281-1X	SPL170	45°	X	6.24	2.16	5.51
210875	210875	RPL20	30°	X	4.85	N/A	5.30
210877	210877	RPL20	42°	X	5.69	N/A	5.30
210923	90-4-251-1X	SPL90	15°	X	4.75	1.61	4.53

Kits and Assemblies

Oil Seal Installation Tools

This kit contains installation tools used for installing driveline oil seals. Using these tools ensures proper installation of the seal. Failure to use these tools may result in an improperly installed or damaged seal.

Oil Seal Driver Installation Kit: 217414



Service Kits and Assemblies

Axle Housing Hardware Kit - Thick Flange Carriers	512087
Axle Housing Hardware Kit - Thin Flange Carriers	511600
Basic Overhaul Kit - DD Models BEFORE June 2008	510399
Basic Overhaul Kit - RD Models BEFORE June 2008	510400
Basic Overhaul Kit - DS Models BEFORE June 2008	510393
Basic Overhaul Kit - RS Models BEFORE June 2008	510398
Basic Overhaul Kit - D40K Standard mdl's AFTER June 2008	504030
Basic Overhaul Kit - D40K Diff-Lock mdl's AFTER June 2008	504031
Bearing Kit - DS Models BEFORE June 2008	216234
Bearing Kit - RS Models BEFORE June 2008	216248
Bearing Kit - DD Models BEFORE June 2008	512800
Bearing Kit - RD Models BEFORE June 2008	512805
Cage & Cup Assy - All "D" Models	129767
Cage & Cup Assy - All "R" Models - STD	129768
Cage & Cup Assy - All "R" Models - Parking Brake Option	129996
Input Brg Cover Assy - "D" Models	129575
Input Shaft Kit - All "D" Models - BEFORE June 2008	510593
Input Shaft Kit - D40K PUMP Models - AFTER June 2008	504027
Input Shaft Kit - D40K NON-PUMP Models-AFTER June 2008	504026
Inter-Axle Diff Assy - All "D" Models	134192
Lube Pump Assembly - All Models BEFORE June 2008	127534
Lube Pump Parts Kit - All Models AFTER June 2008	504028
Manifold Parts Kit - Pump Mdls AFTER June 2008	504029
Oil Seal Driver Installation Kit - All Models	217414
Oil Seal & Shim Kit - All "D" Models	216224
Oil Seal & Shim Kit - All "R" Models	216225
Output Shaft Kit - All "D" Models	216227
Pinion Brg Spacer Kit - All "D" Models	504043
Pinion Brg Spacer Kit - All "R" Models	504016
Pinion Brg Cage Shim Kit - All "D" and "R" models	504032

Service Kits and Assemblies

Ring Gear Nut & Bolt Kit - All Models	508652
Shift Fork & Spring Kit - All "D" Models	510870
Wheel Diff Case Kit - 2.64 to 3.25 - All DS/RS Models	508653
Wheel Diff Case Kit - 3.36 to 3.90 - All DS/RS Models	508654
Wheel Diff Case Kit - 4.11 to 4.88 - All DS/RS Models	508655
Wheel Diff Case Kit - 5.29 to 7.17 - All DS/RS Models	508656
Wheel Diff Case Kit - 2.64 to 3.25 - All DD/RD Models	508724
Wheel Diff Case Kit - 3.36 to 3.90 - All DD/RD Models	508725
Wheel Diff Case Kit - 4.11 to 4.88 - All DD/RD Models	508726
Wheel Diff Case Kit - 5.29 to 7.17 - All DD/RD Models	508727
Wheel Diff Side Gear Kit - 41 Inv	216229
Wheel Diff Kit - w/o side gears - All Models	216228



SPICER®

Drivetrain Products

Copyright Eaton Corporation and Dana Limited, 2011. Eaton and Dana hereby grant their customers, vendors, or distributors permission to freely copy, reproduce and/or distribute this document in printed format. It may be copied only in its entirety without any changes or modifications. THIS INFORMATION IS NOT INTENDED FOR SALE OR RESALE, AND THIS NOTICE MUST REMAIN ON ALL COPIES.



National Institute for
**AUTOMOTIVE
SERVICE
EXCELLENCE**

Roadranger®



EATON

For specifying or service assistance, call 1-800-826-HELP (4357) 24 hours a day, 7 days a week (Mexico: 001-800-826-4357), for more time on the road. Or visit our web site at www.roadranger.com.

Roadranger: Eaton, Dana and other trusted partners providing the best products and services in the industry, ensuring more time on the road.